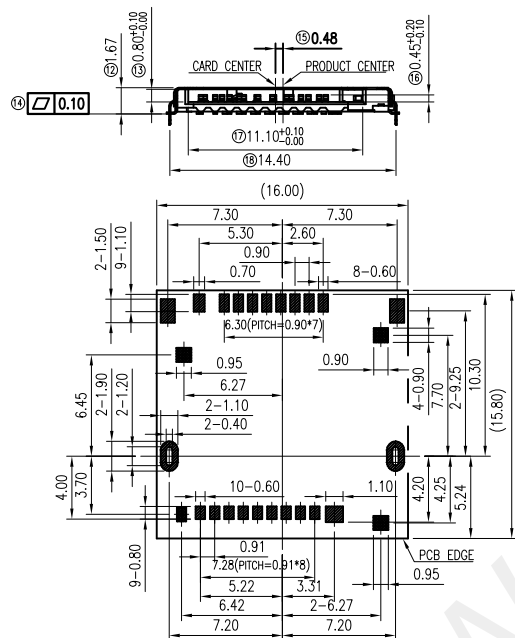


- NOTES:
- Material
    - Housing:LCP UL94V-0 Black
    - Terminal:Copper Alloy
    - Cover:Stainless Steel
  - Plating:
    - Terminal:
      - Contact Area:Gold plated 3u" Min
      - Solder Area:80u"Tin Min
      - Underplating: Ni overall 40u" Min.
    - Cover:
      - Solder Area:Gold plated G/F
      - Underplating: Ni overall 30u" Min.
  - Technical Speciality:
    - Rated Voltage: 30V
    - Current Rating: 0.5A
    - Insulation Resistance:1000MΩ
  - Contact Resistance:100mΩ
  - Max.
    - Withstanding Voltage: 500V AC
  - For 1 Minutes.
  - 4.Mechanical&Environmental
    - Operating
      - Temperature:-40℃ to +85℃
      - Durability:5000 cycles



RECOMMENDED PCB LAYOUT

- TOLERANCE:±0.05
- SMT SOLDER AREA
  - NO COMPONENT AREA
  - RED GLUING AREA

P#	PIN#	PIN ASSIGNMENT		
		NAME	TYPE	DESCRIPTION
P1	PN1	DATA2	I/O	DATA LINE BIT2
P2	PN2	CD/DATA3	I/O	DATA LINE BIT3
P3	PN3	CMD	I/O	COMMAND/RESPONSE
P4	PN4	VDD1	S	SUPPLY VOLTAGE(3.3V)
P5	PN5	CLK	I	CLOCK
P6	PN6	VSS	S	SUPPLY VOLTAGE GROUND
P7	PN7	DATA/RCLK+	I/O	DATA LINE BIT0 RCLK+
P8	PN8	DATA/RCLK-	I/O	DATA LINE BIT1 RCLK-
P9	CD	PN	CD	CARD DETECT
P15	PN9	VDD2	S	SUPPLY VOLTAGE (1.8V)
P16	PN17	SMO	I	ONCE WRIT PROTECT INTERFAGE
P17	PN10	VSS	S	SUPPLY VOLTAGE GROUND
P18	PN11	DD+	I/O	UHS-II DD+
P19	PN12	DD-	I/O	UHS-II DD-
P20	PN13	VSS	S	SUPPLY VOLTAGE GROUND
P21	PN14	D1-	I/O	UHS-II D1-
P22	PN15	D1+	I/O	UHS-II D1+
P23	PN16	VSS	S	SUPPLY VOLTAGE GROUND

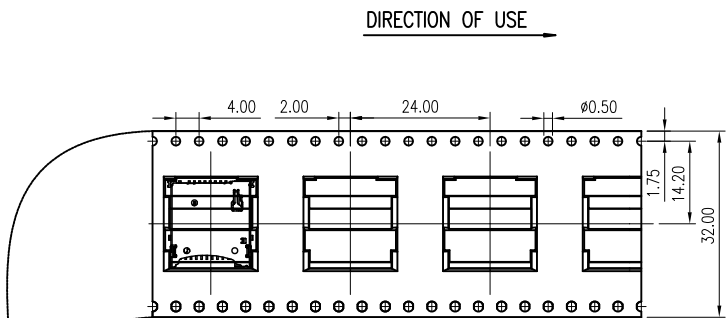
P10, P11, P12, P13, P14 THEY ARE ALL GROUNDING AND UNRELATED TO CARD ASSOCIATION REGULATIONS

OPENING/CLOSE OF SWITCH	
CARD UNINSERTION	CARD DETECT SWITCH OPEN
CARD HALF INSERTION	CARD DETECT SWITCH OPEN
CARD INSERTION	CARD DETECT SWITCH CLOSE
I/O	



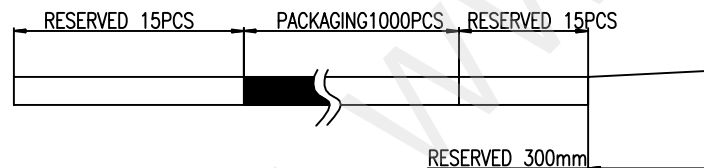
深圳市华宇创精密电子有限公司

TOLERANCE: X.X ±0.30 X.XX ±0.25 X.XXX ±0.15 X' ±2' X.X' ±0.5'	DRAWN BY : 陈一鸣	DATE : 2014-02-23	PART NAME: TF 4.0 PUSH 1.67H
	CHECKED BY: 马跃	DATE : 2014-02-23	PART NO. HVC174-TF23-167
UNIT: mm [inch] SCALE:1:1 SIZE: A4	APPROVED BY: 邱敏	DATE : 2014-02-23	DRAW NO: HVC-2605131201
			SHEET NO. 1 OF 1

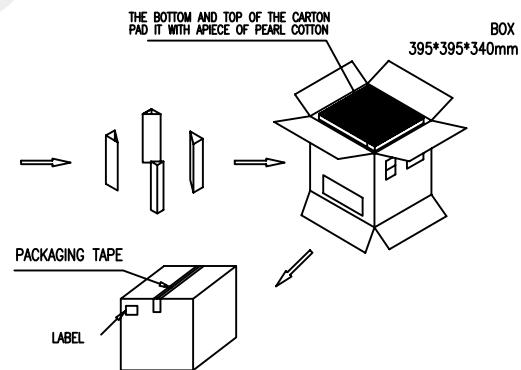
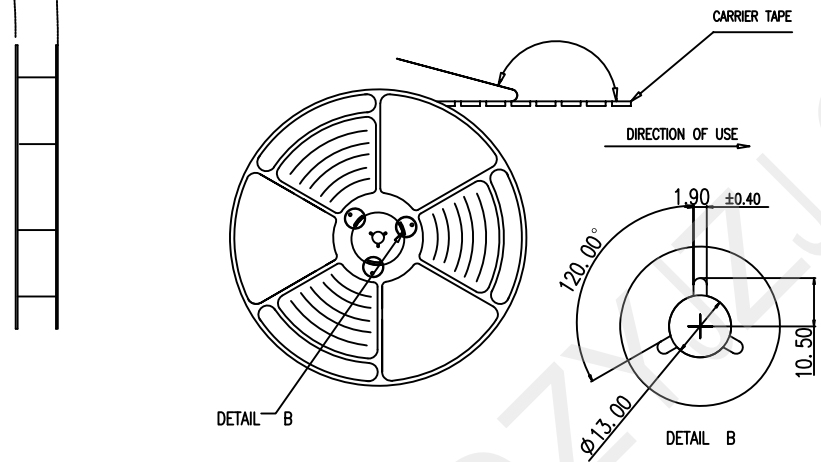



NOTES:

- 1.PACKING QUANTITY PER PLATE:1000PCS/PLATE
- 2.LOADING AND PACKING METHOD



3.TOTAL PACKAGING:8000PCS/BOX




深圳市华宇创精密电子有限公司

TOLERANCE: X.X ±0.30 X.XX ±0.25 X.XXX ±0.15 X.' ±2'    X.X' ±0.5'	DRAWN BY : 陈一鸣	DATE : 2014-02-23	PART NAME: 包装图	
	CHECKED BY: 马跃	DATE : 2014-02-23	PART NO.	
UNIT: mm [inch] SCALE:1:1    SIZE: A4	APPROVED BY: 邱敏	DATE : 2014-02-23	DRAW NO:	
			SHEET NO.	1 OF 1